

LFX-LG SERIES Outdoor Lighting

LFX-LG-50-150W-30K-480V
LFX-LG-50-150W-40K-480V
LFX-LG-50-150W-50K-480V

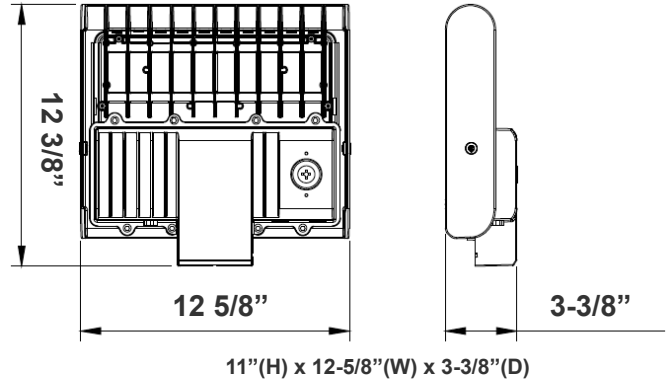
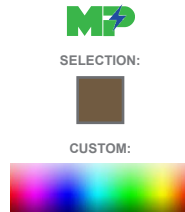
WESTGATE
THE FUTURE IS HERE...AND IT'S QUITE BRIGHT!

Customer Name: _____

Project Name: _____

Note: _____

Type: _____



Ideal for general site lighting, alleys, loading docks, doorway, pathway, and parking areas.

Features

- DLC Premium & LED High-Lumen Flood lights
- Solid State Lighting Technology for Long Life
- No Maintenance Needed and High-Efficiency
- 70,000 Hours Rated Life
- 7-Year Warranty
- Optic Lens Type: III
- Multi-Power - The Switch is On the Bottom of the Fixture

Technical Specifications

Electrical:

- Voltage: 480V AC/50~60 Hz
- Wattage: 50/ 80/ 100/ 150W
- Power Factor: >0.9
- Efficacy: 135 LPW

Mechanical:

- With Snap-on & Bolt Mounting Options for One- Person Installations. Select a Mounting Option (Sold Separately)
- Die-cast Aluminum Housing with Powder Coat Finish (Dark Bronze)
- 10KV Lightning Surge Protection
- Effective Projected Areas (EPA's) are: Front = 0.38 ft², Side = 0.30 ft², Face = 1.05 ft²
- Operating Temperature: -40°F to 104°F
- IP Rating: IP65, Suitable for Wet Locations

Lighting:

- Multi-Power - The Switch is On the Bottom of the Fixture
- Dimming: 0~10V dimmable
- Optic Lens Type: III
- Cord Type: 6' SJTW 18/3 AWG cable
- Total Lumens: 21400LM Max.
- Color Temperature: 3000K/ 4000K/ 5000K
- Color Rendering Index: ≥ 82
- Beam Angle: 90° X 120°

Applications:

- Ideal for general site lighting, alleys, loading docks, doorway, pathway and parking areas.
- Replace existing HID flood lights/ wall packs

Other Models:

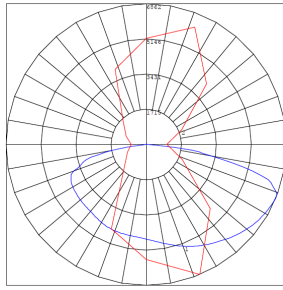
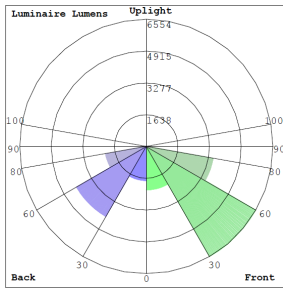
- 300W | 44000LM | LFX-XL-150-300W-50K-480V



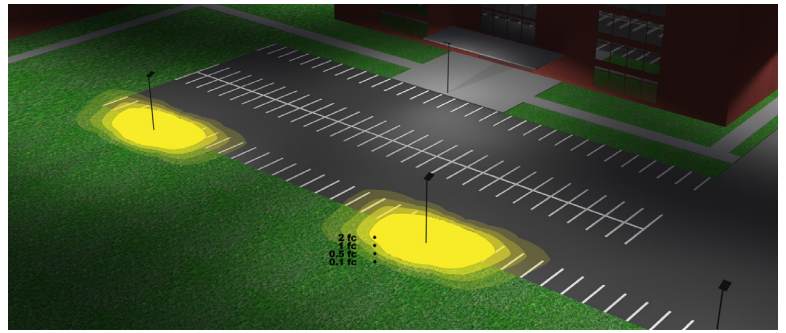
Phone: (877) 805-2252 | Fax: (877) 805-2252
www.westgatemfg.com |



Photometrics: LFX-LG-50-150W-480V



BUG Rating: B3-U0-G3



Area 55'x 100' Mounting Height: 20'

Other Views:



Side View



Front View



Back View

Performance Table: LFX-LG-50-150W-480V

MODEL NO.	Wattage	Voltage	Lumens	Color Temp.	BUG Rating	LPW
LFX-LG-50-150W-30K-480V	50W	480V	8500LM	3000K 4000K 5000K	B3-U0-G3	135
			8750LM			
			8850LM			
LFX-LG-50-150W-40K-480V	80W		12900LM			
			13200LM			
			13400LM			
LFX-LG-50-150W-50K-480V	100W		15500LM			
			16000LM			
			16150LM			
LFX-LG-50-150W-50K-480V	150W	20850LM				
		21300LM				
		21400LM				

Example:

1. LFX-LG-50-150W-50K-480V

(For LFX 150W 5000K fixture 480V)

2. LFX-LG-50-150W-50K-480V
WEC-8RC

(For LFX 150W 5000K fixture 480V
(For Remote Control)

3. LFX-LG-50-150W-50K-480V
WEC-8RC
OPT-SEN-3MR-3

(For LFX 150W 5000K fixture 480V
(For Remote Control)
(For Programmable Microwave BI-Level Motion Sensor)



Sample Ordering

SENSOR AND REMOTE CONTROL OPTIONS:

Model **Size** **Min.Wattage** **Max.Wattage** **Color Temp.** **Volt**

LFX - LG - 50 - 150W - - 480V

30K = 3000K
40K = 4000K
50K = 5000K

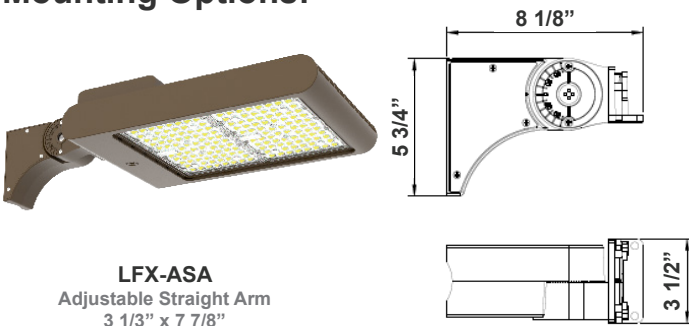


OPT-LF3-PCK-480V
Twist-Lock
Photocell + Receptacle Kit

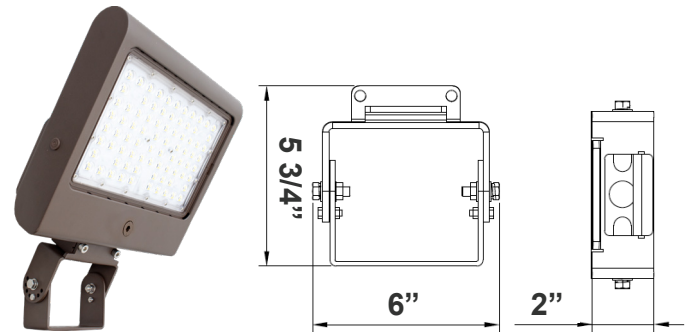
Factory-Installed Options

Blank = No Factory Installed Options
OPT-LF3-PCK-480V = Twist-Lock Photocell

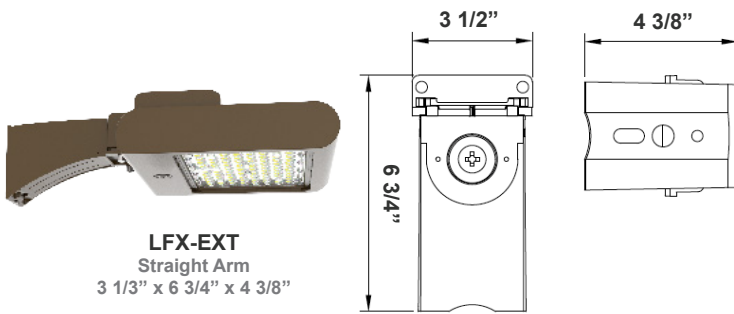
Mounting Options:



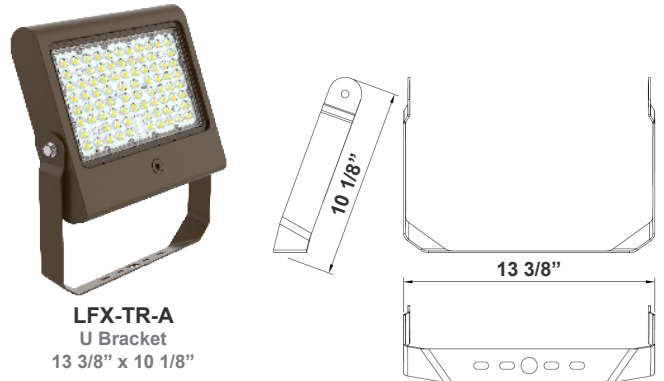
LFX-ASA
Adjustable Straight Arm
3 1/3" x 7 7/8"



LFX-YK
Yoke
5 3/4" x 6" x 2"



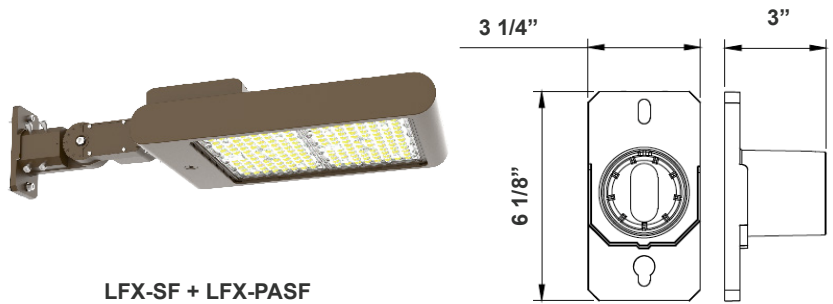
LFX-EXT
Straight Arm
3 1/3" x 6 3/4" x 4 3/8"



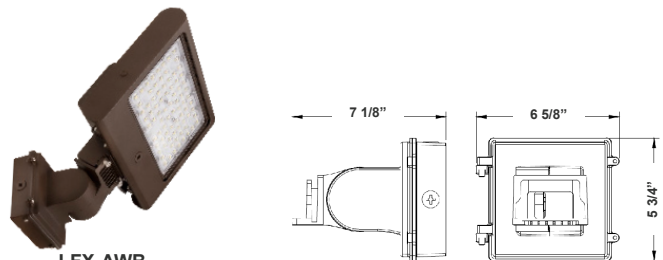
LFX-TR-A
U Bracket
13 3/8" x 10 1/8"



LFX-SF
Slip Fitter
3 1/3" x 7 7/8"
For 2-3/8" OD Pole/Pipe



LFX-SF + LFX-PASF
Pole Adapter for Slip Fitter
6 1/8" x 3 1/4" x 3"



LFX-AWB
Adjustable Wall Junction Box
7 1/8" x 6 5/8" x 5 3/4"

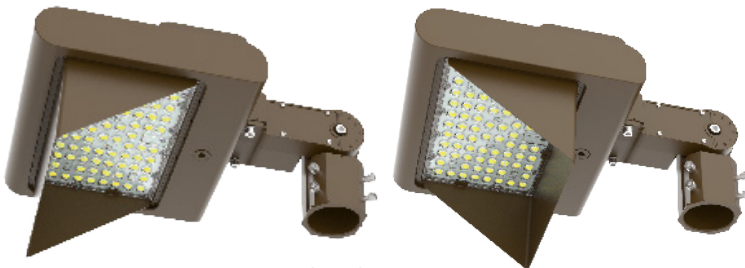


Color Options: LFX-LG-50-150W-50K-480V
 Custom Color Available

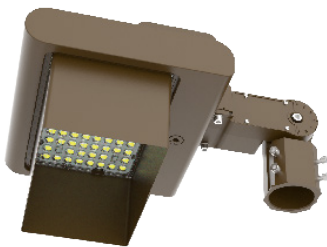
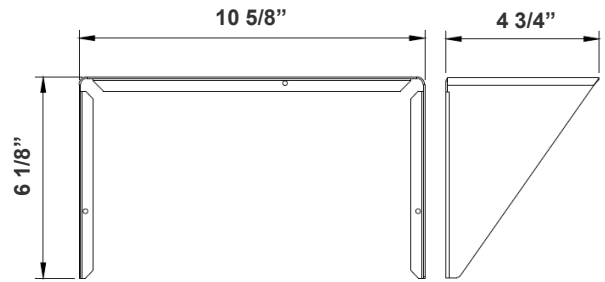
Black Silver White **Dark Bronze** Green Red Yellow
 Default color



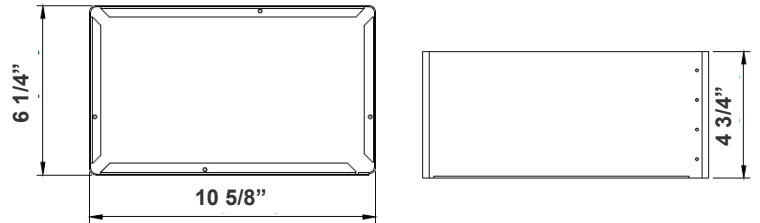
Shroud & Wire Guard: LFX-LG-50-150W-50K-480V



LF-SHROUD-A
 Shroud
 6 1/8" x 10 5/8" x 4 3/4"



LF-SHROUD-D
 Full-Glare Shroud
 6 1/4" x 10 5/8" x 4 3/4"



LFX-WG-A
 Wire Guard



COLOR CHART: * Choose from one of our Premium Colors with no set-up fee.

Gloss:



Hammer:



Texture:



Vein:

